

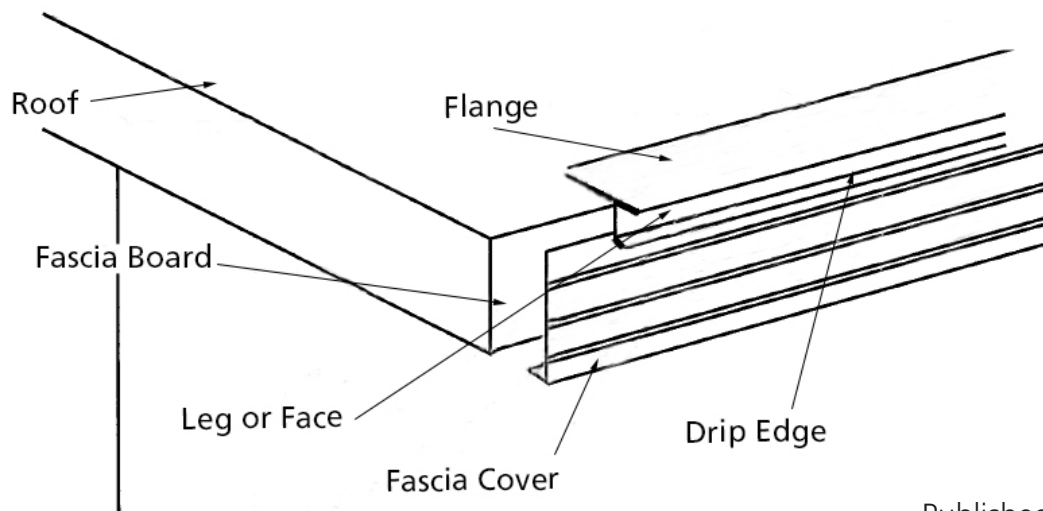
Proper Drip Edge Installation

To protect the roof and fascia on your home, a metal drip edge should be installed. Properly installed a drip edge uses cohesion and surface tension to direct water away from the fascia and into the gutter. If the home has no gutters the drip edge prevents the water from running down the fascia and into the soffit cavity. Style D drip edge also keeps wind driven rain from damaging your roof's deck.

To properly install an EDCO style D drip edge, use the following steps:

- Install the drip edge on the eaves first. Drip edge should be below the underlayment at the eaves and above the underlayment on the rakes.
- Position the drip edge flange on roof edge, making sure the face or leg is flush to the fascia board and the "drip edge" is facing away from the roof.
- Lap the adjacent pieces by a minimum of 2".
- Use nails that can penetrate a minimum of $\frac{3}{4}$ ".
- The first nail should not be less than 4" from the end of the drip edge. Nail high up on the flange so the shingles cover the nails.
- Drive the next nail approximately 18" to 24" away and continue nailing down the flange ensuring the last nail is not less than 4" away from the end of the drip edge.
- Do not overdrive nails as this can cause buckling. Nails should not be driven home; the drip edge must be hung, not attached. Allow $\frac{1}{32}$ " clearance for movement due to temperature changes.
- Shingles should overhang the drip edge by $\frac{1}{4}$ " to $\frac{3}{4}$ ".

If you have any questions related to the installation of the drip edge, please contact our customer support department at 800-593-2680 or 952-945-2680.



Published: July 2020